

Resource sheet 3: Instrumental and relational card sort

$$(a + b)(a - b) =$$

$$(a + b)(a - b) = a^2 - b^2$$

	a	-b
a		
b		

$$5 \times 1 = 9 - 4$$

$$6 \times 2 = 16 - 4$$

$$7 \times 3 = 25 - 4$$

...

	10	7
30	300	210
4	40	28

$300 + 210 + 40 + 28 = 578$

$$34$$

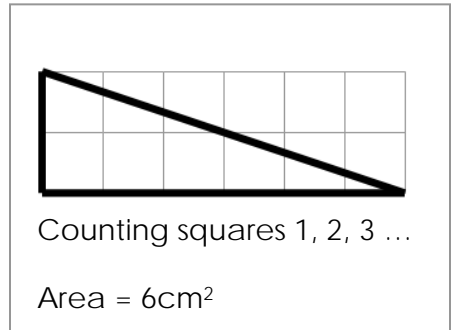
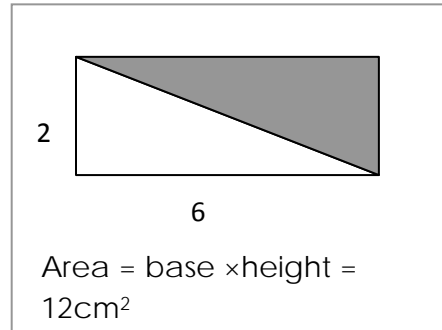
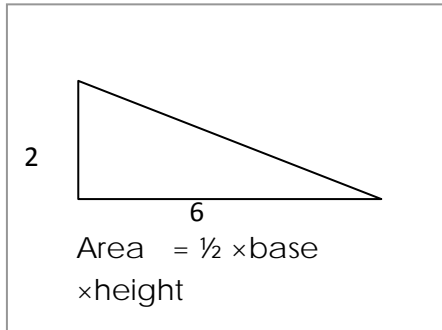
$$\times 17$$

$$238$$

$$34 + 34 + 34 + 34 + 34 + 34 + 34 +$$

$$34 + 34 + 34 + 34 + 34 + 34 + 34 +$$

$$34 + 34 + 34 = 578$$



$$3x + 4 = 8$$

$$3x = 4 \quad (-4)$$

$$x = \frac{4}{3}$$

$$3x + 4 = 8$$

$$3x = 4 \quad (-4)$$

$$x = \frac{4}{3} \quad (\div 3)$$

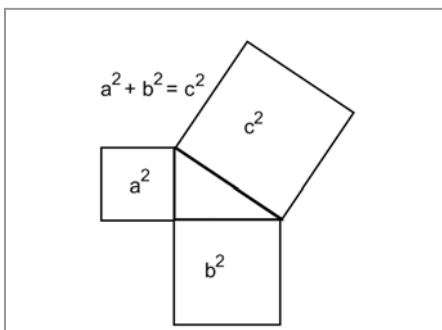
$$3x + 4 = 8$$

$$3x + 3 = 7$$

$$3x + 2 = 6$$

$$3x + 1 = 5$$

$$3x = 4$$



For a right angle triangle, the square on the hypotenuse is the same as the sum of the squares on the other two sides

